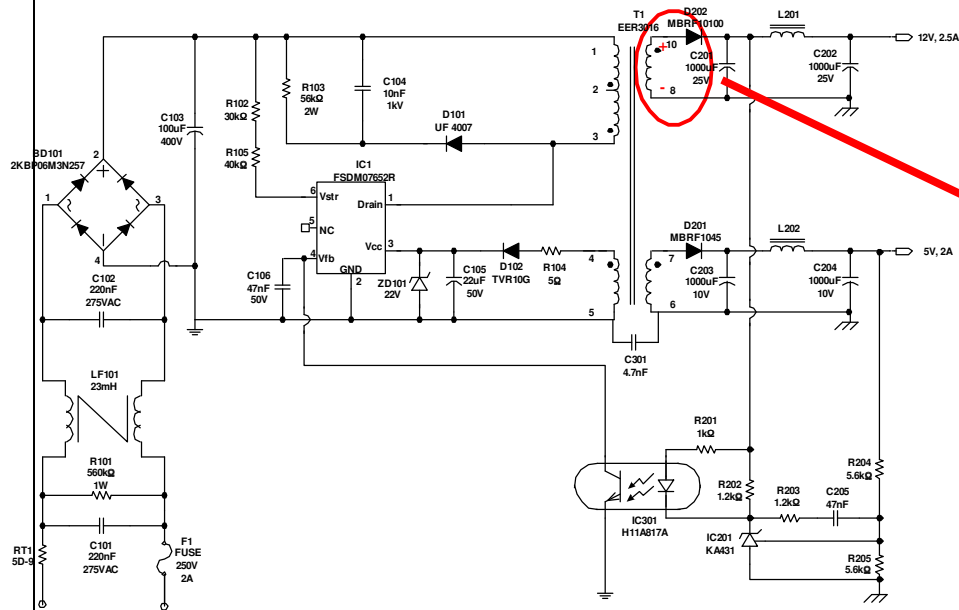


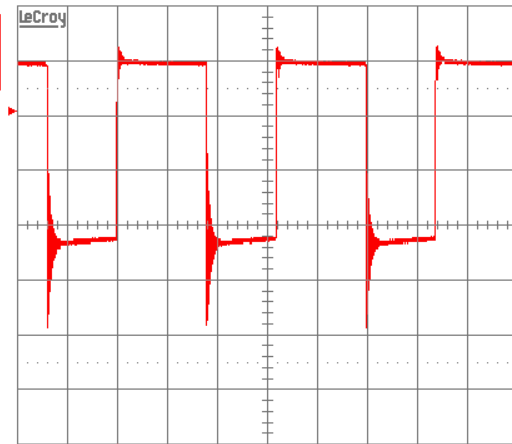
4. Snubber design (RC snubber)

RC snubber → Secondary side diode



23-Dec-04
18:59:16

2 5 μ s
10.0 V



5 μ s BWL
1 trig only
2 1 V DC $\times 10$
3 50 mV DC $\times 10$
4 trig only

2 DC 5.4 V

TRIGGER SETUP

Edge SMART

trigger on
1 2 3 4 Ext
Ext10 Line

coupling 2
DC AC LFREJ
HFREJ HF

slope 2
Pos Neg
Window

holdoff

OFF Time Evts

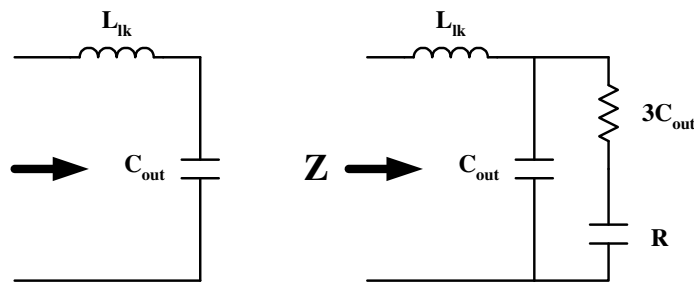
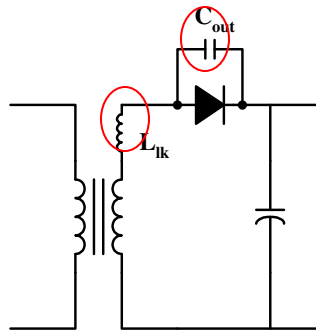
4 GS/s

AUTO

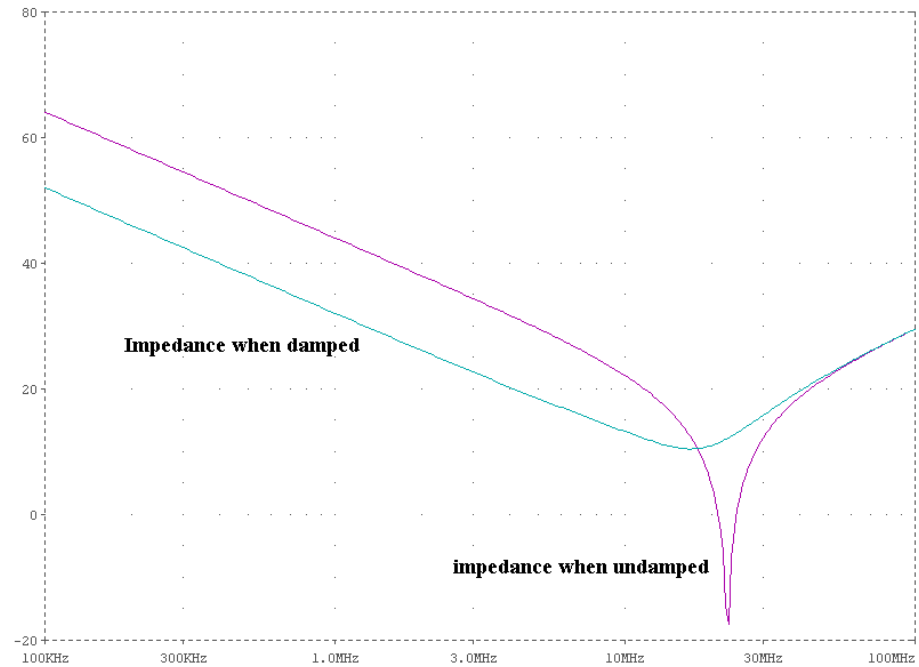
4. Snubber design (RC snubber)

□ Why Diode voltage oscillates when turned off?

- Oscillation between the leakage inductance and diode output capacitance
- Need to be damped with additional resonant network

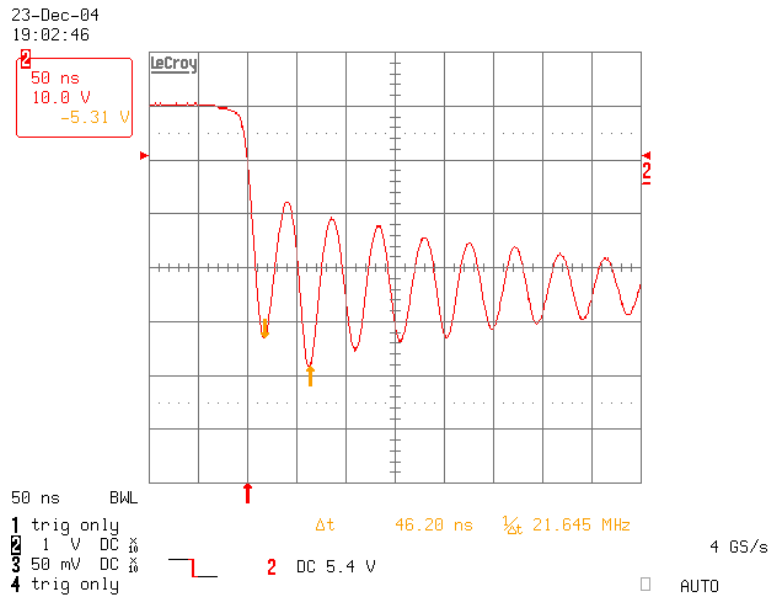


$$R = \sqrt{\frac{L_{lk}}{C_{out}}} = \frac{\sqrt{L_{lk} C_{out}}}{C_{out}} = \frac{1}{2\pi f_r C_{out}}$$



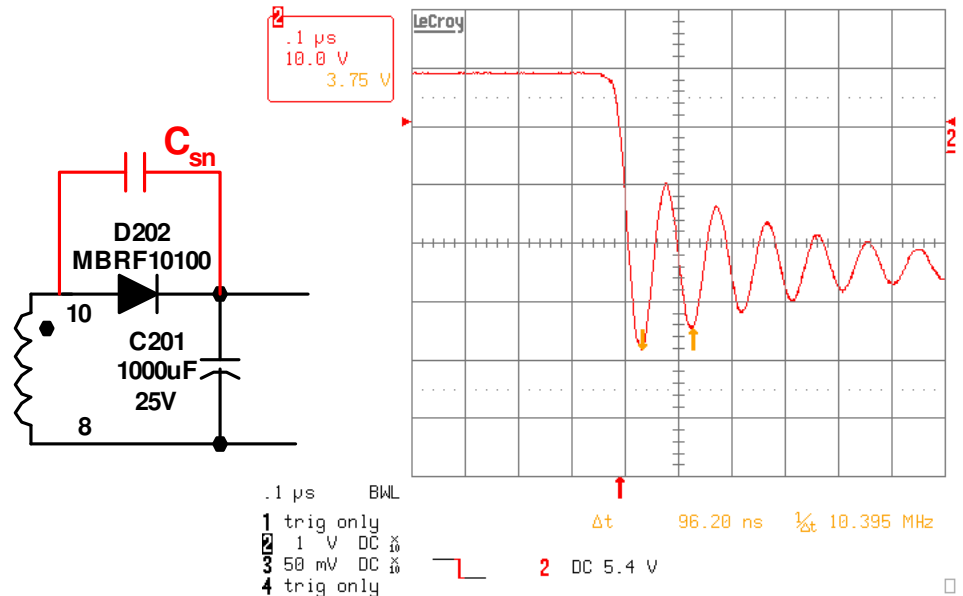
4. Snubber design (RC snubber)

(1) Measure the original resonance period (T_r) of the diode voltage waveforms.



→ $T_r=46\text{ns}$

(2) Find a capacitor value that doubles the resonance period when connected in parallel with the diode.

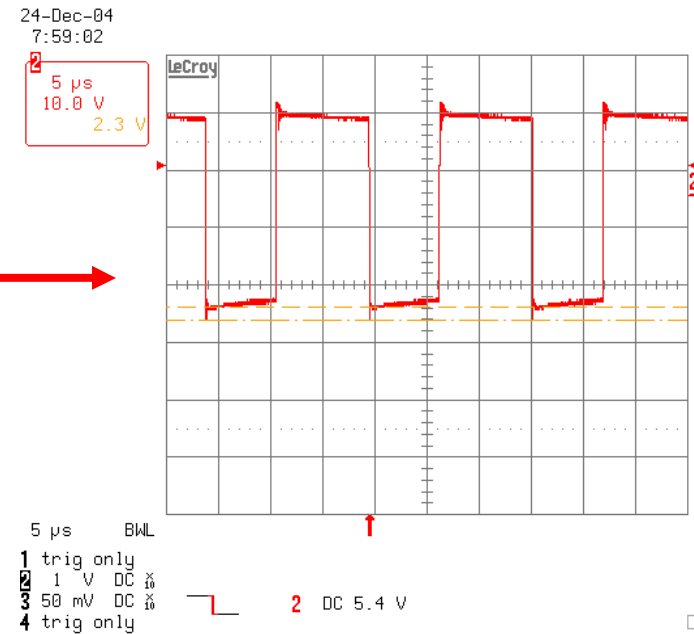
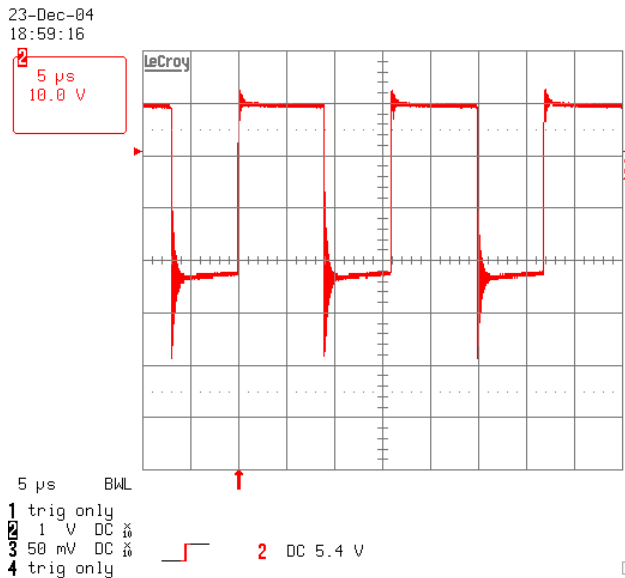
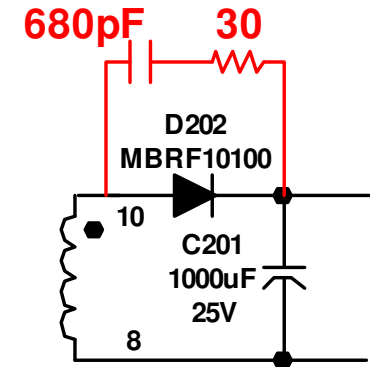


→ With 680pF capacitor, the resonance period is approximately doubled (46ns → 96ns)

4. Snubber design (RC snubber)

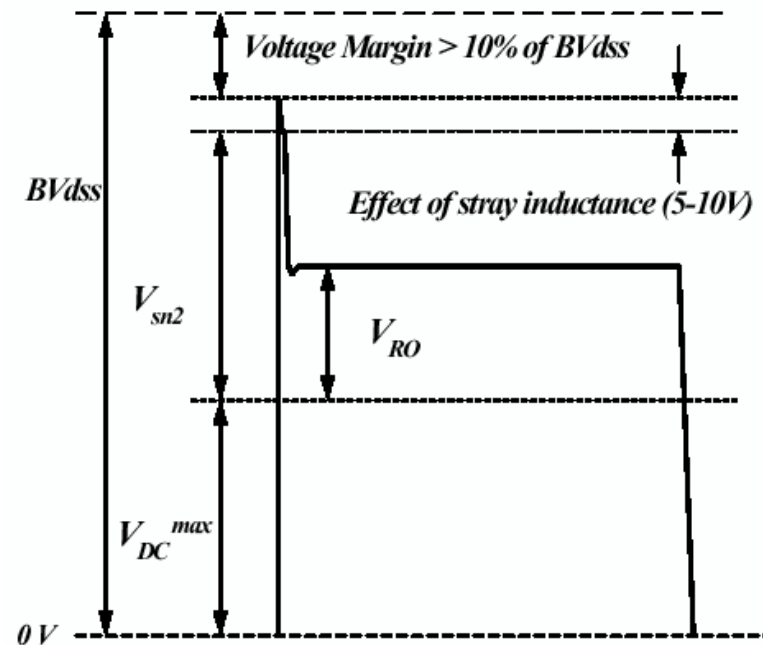
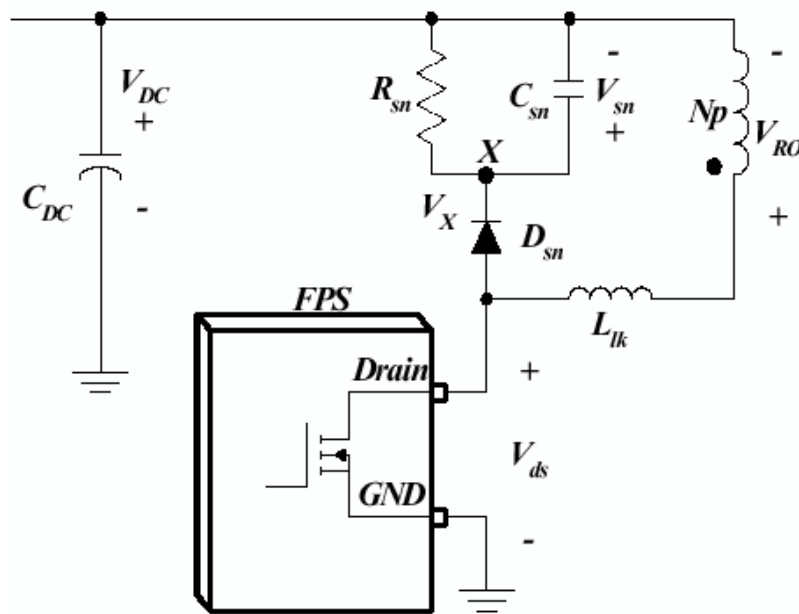
(3) Calculate the snubber resistor with the following equation.

$$R_{sn} = \frac{3T_r}{2\pi C_{sn}} = \frac{3 \cdot 46ns}{2\pi \cdot 0.68nF} = 32\Omega \quad (\text{Use } 30 \text{ ohms resistor})$$



4. Snubber design (RCD snubber)

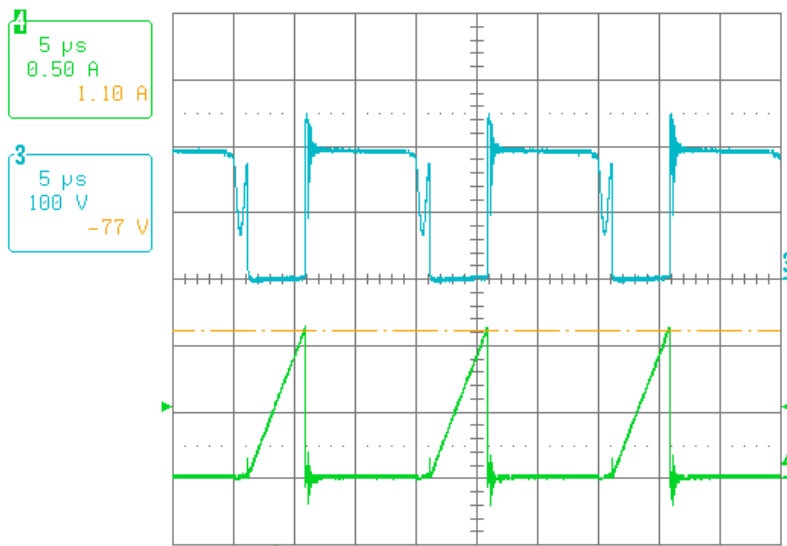
□ RCD snubber → Primary side



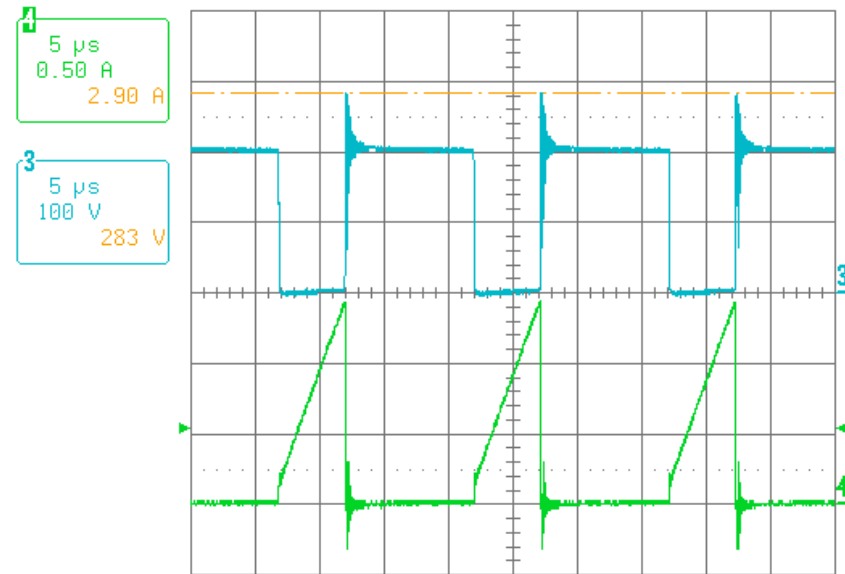
$$P_{sn} = \frac{(V_{sn})^2}{R_{sn}} = \frac{1}{2} f_s L_{lk} (I_{ds}^{peak})^2 \frac{V_{sn}}{V_{sn} - V_{RO}}$$

4. Snubber design (RCD snubber)

❑ Experimental results (C_{sn}=2.2nF, R_{sn}=56kΩ, f_s=66kHz)



VDC=140V, VRO=65V, V_{sn}=122V, I_{pk}=1.1A, L_{lk}=3μH



VDC=140V, VRO=65V, V_{sn}=143V, I_{pk}=1.41A, L_{lk}=3μH

$$\frac{V_{sn}^2}{R_{sn}} = \frac{122^2}{56k} = 0.266W$$

$$\frac{1}{2} L_{lk} I_{pk}^2 f_s \frac{V_{sn}}{V_{sn} - V_{RO}} = \frac{1}{2} (3\mu) \times 1.1^2 \times 66k \times \frac{122}{122 - 65} = 0.256W$$

$$\frac{V_{sn}^2}{R_{sn}} = \frac{143^2}{56k} = 0.365W$$

$$\frac{1}{2} L_{lk} I_{pk}^2 f_s \frac{V_{sn}}{V_{sn} - V_{RO}} = \frac{1}{2} (3\mu) \times 1.41^2 \times 66k \times \frac{143}{143 - 65} = 0.360W$$

4. Snubber design (RCD snubber)

□ Design Procedure

- ✓ **Measure the leakage inductance : measure the primary side inductance with all other windings shorted**
 - LCR meter is not always correct (Normally 50% error) especially the leakage inductance is small
- ✓ **Determine the snubber capacitor voltage (V_{sn}) considering voltage margin of BVdss**

- ✓ **Calculate the snubber resistor using**

$$R_{sn} = \frac{2V_{sn}(V_{sn} - V_{RO})}{L_{lk} f_s I_{pk}^2}$$

- ✓ **Determine the snubber capacitor considering the snubber capacitor voltage ripple (1~10nF)**
- ✓ **If the measured drain voltage is different from the designed value, leakage inductance should be calibrated using**

$$L_{lk} = \frac{2V_{sn}(V_{sn} - V_{RO})}{R_{sn} f_s I_{pk}^2}$$

4. Snubber design (RCD snubber)

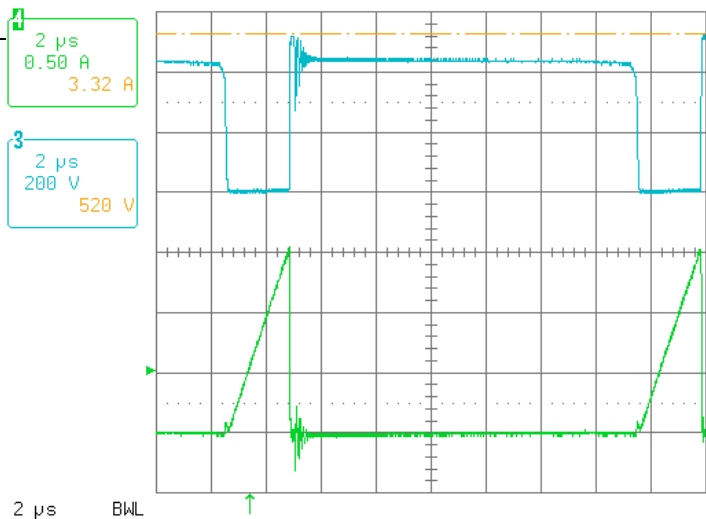
□ Design Example ($V_{RO}=65V$, $V_{in}=265V_{ac}$ ($V_{DC}=370V$), $I_{pk}=1.5A$)

- ✓ Measure the leakage inductance with LCR meter: $5\mu H$ @ $70kHz$
- ✓ Determine the snubber capacitor voltage considering voltage margin of BV_{dss} : $V_{sn}=182V$ ($V_{sn}+V_{DC}=182+370=552V$:85% of $650V$)
- ✓ Calculate the snubber resistor

$$R_{sn} = \frac{2V_{sn}(V_{sn} - V_{RO})}{L_{lk} f_s I_{pk}^2} = \frac{2 \times 182 \times (182 - 65)}{5\mu \times 66k \times 1.5^2} = 57k\Omega$$

4. Snubber design (RCD snubber)

- ✓ Determine the snubber capacitor considering the snubber capacitor voltage ripple : $C_{sn}=2.2nF$
- ✓ Measured the peak drain voltage : 520V ($V_{sn}=146V$)



$$R_{sn}=56k\Omega, C_{sn}=2.2nF$$

$$V_{sn}=520-370=150V$$

V_{sn} is different from the designed value

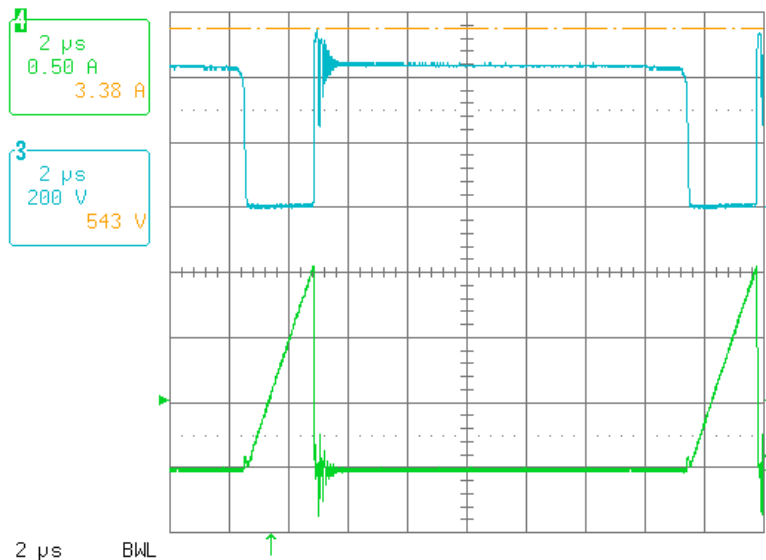
- ✓ Recalculate the leakage inductance with measured V_{sn}

$$L_{lk} = \frac{2V_{sn}(V_{sn} - V_{RO})}{R_{sn}f_s I_{pk}^2} = \frac{2 \times 150 \times (150 - 65)}{56k \times 66k \times 1.5^2} = 3\mu H$$

4. Snubber design (RCD snubber)

- ✓ Recalculate snubber resistor

$$R_{sn} = \frac{2V_{sn}(V_{sn} - V_{RO})}{L_{lk} f_s I_{pk}^2} = \frac{2 \times 182 \times (182 - 65)}{3 \mu \times 66k \times 1.5^2} = 95k\Omega$$



$$R_{sn} = 96k\Omega, C_{sn} = 2.2nF$$
$$V_{sn} = 543 - 370 = 173V$$

- ✓ The drain voltage is lower than the designed value by 9V due to the stray resistance (Measured:543V, Designed:552)